

## 37 Draw Latch

Flexible · Pull type · Tab handle

### Features

- Flexible one piece molded latch

### Material

- Small: EPDM rubber and stainless steel
- Medium: EPDM rubber and steel, zinc plated

### Product Performance

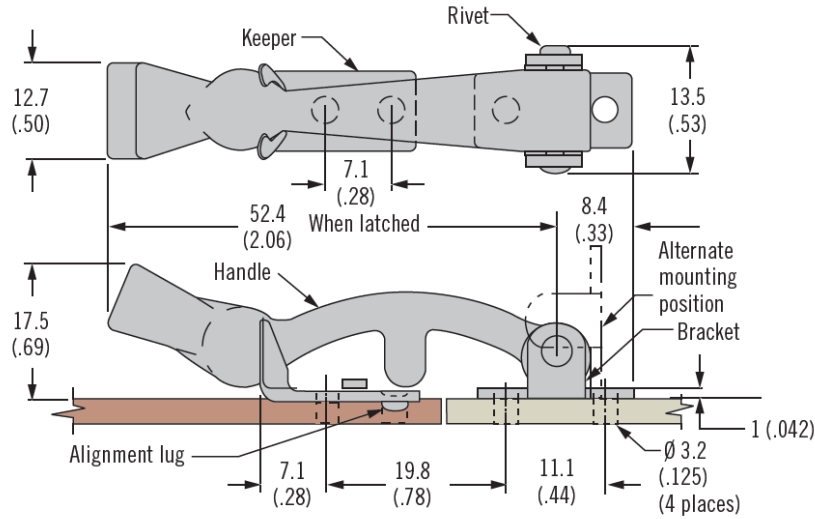
- Average clamping force:
  - Small: 20.9 N
  - Medium: 26.2 N
- Operating temperature range: -20 °C to 95 °C

### Installation Notes

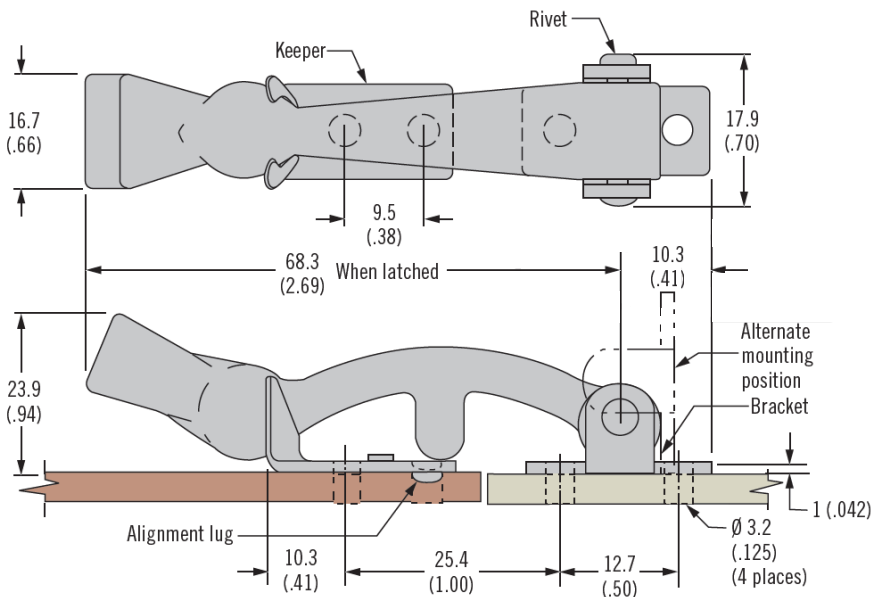
- Install assembly with four Ø3 rivets or M3 screws (not supplied)



### Small



### Medium



Part Number		
Series	Steel	Stainless Steel
Small	~	37-10-051-20
Medium	37-10-061-10	~